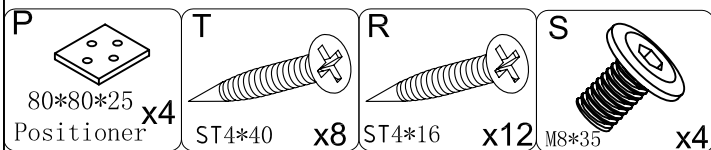
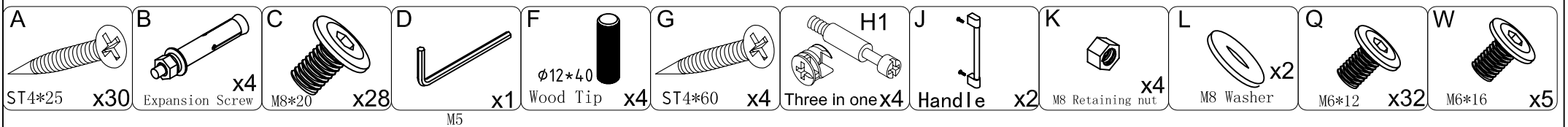
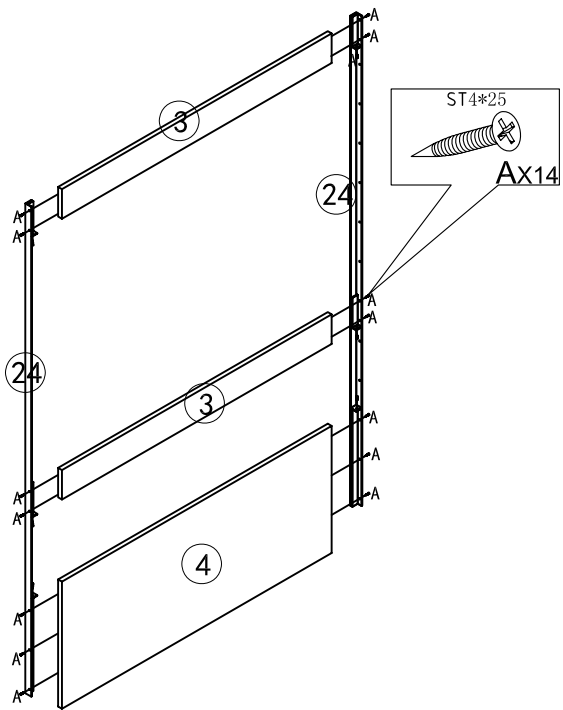


NO.	Parte name	QTY
①	Side panel	2
②	Top panel	1
③	Back brace panel	2
④	Back brace panel	1
⑤	Bottom panel	1
⑥	Skirting line	1
⑦	Back panel	1
⑧	Back panel	1
⑨	Aluminum trim strip	1
⑩	Aluminum cover plate	1
⑪	Limit iron	2
⑫	Shaft seat	4
⑬	Gas bar	4
⑭	Up Bedstead	2
⑮	Up Door panel	1
⑯	Gum cover	2
⑰	Screw	2
⑱	Steel lagging	2
⑲	Gum cover	2
⑳	Down Bedstead	1
㉑	Down Door panel	1
㉒	Leg	2
㉓	Crawling ladder	1
⑳	Handle	2
㉔	Handle	2
㉕	Connector	2
㉖	Connector	2
㉗	Pothook	2
㉘	Handle	2
㉙	Back leg iron	2

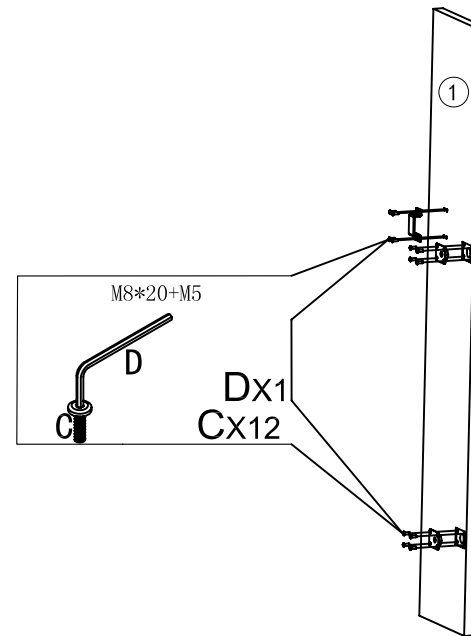


⑳	Handle	2	㉔	Handle	2
㉕	Connector	2	㉖	Connector	2
㉗	Pothook	2	㉘	Handle	2
㉙	Back leg iron	2	㉚	Back leg iron	2

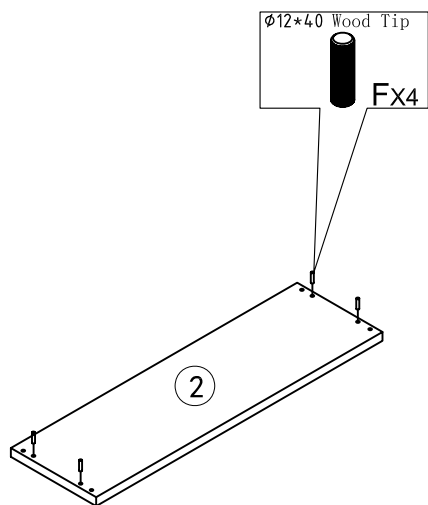




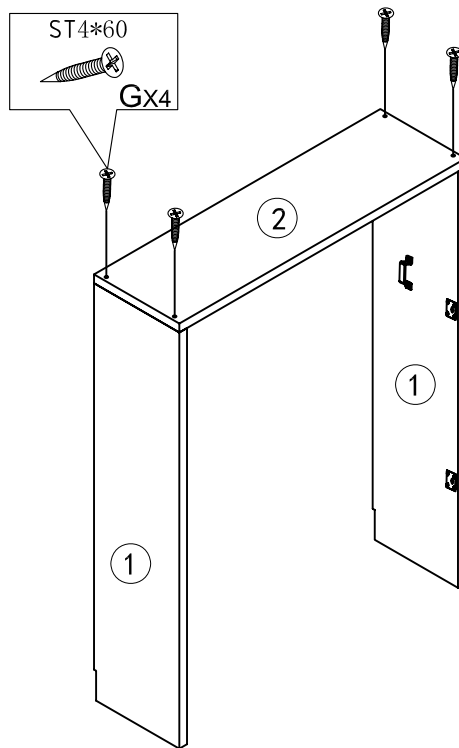
1



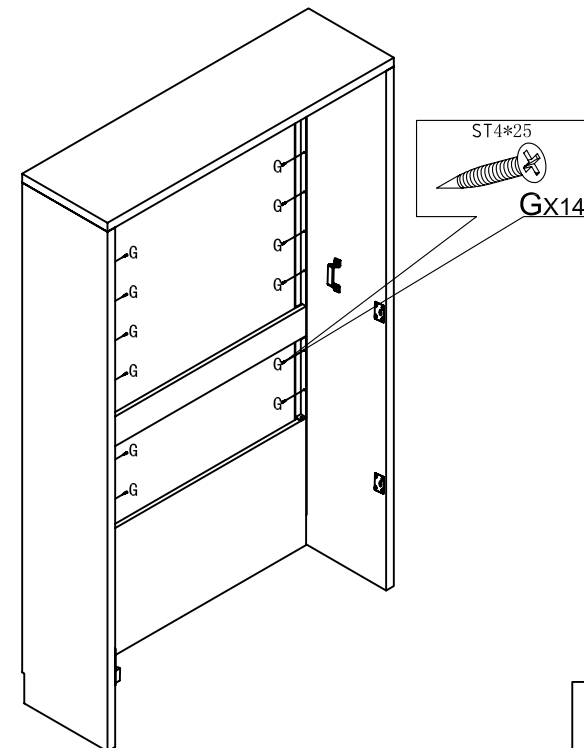
2



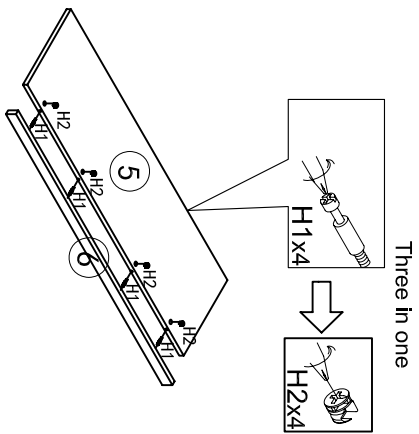
3



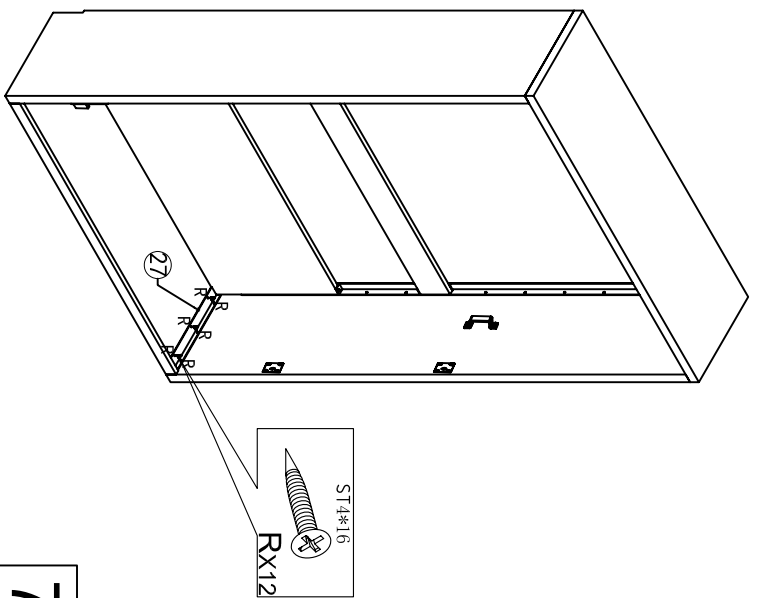
4



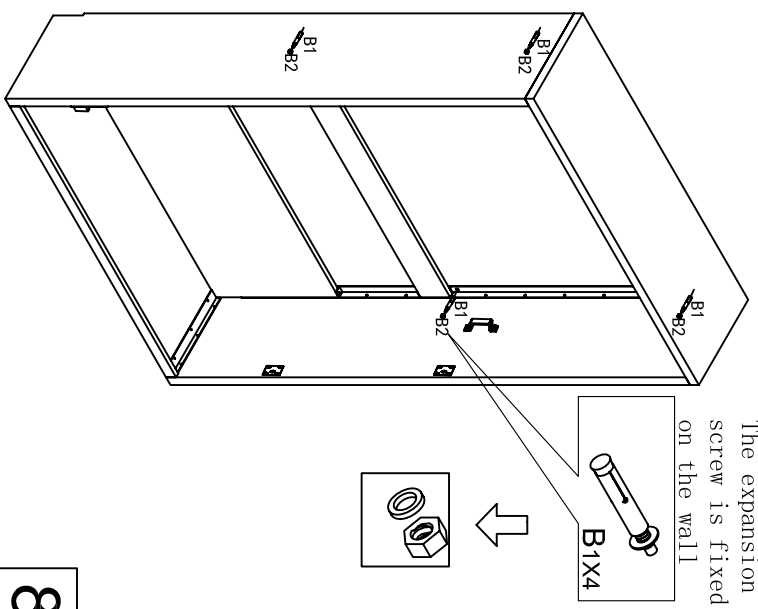
5



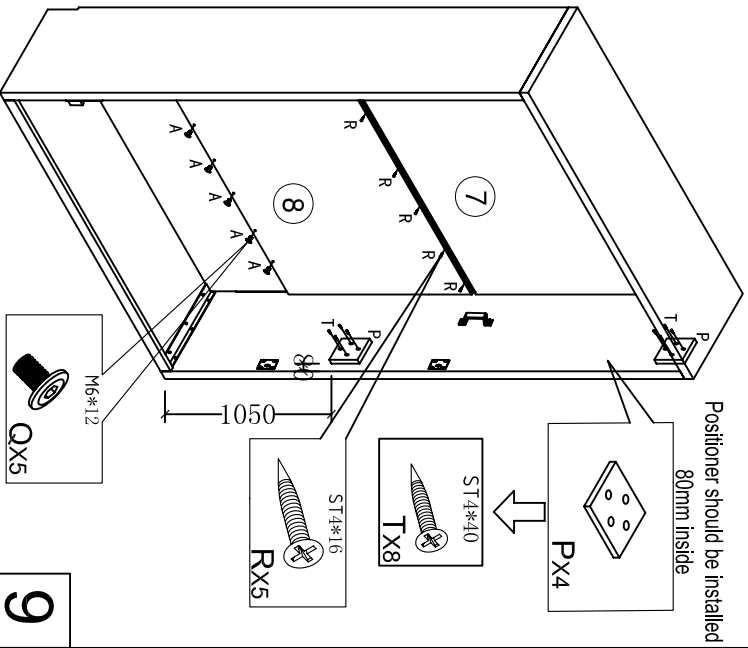
6



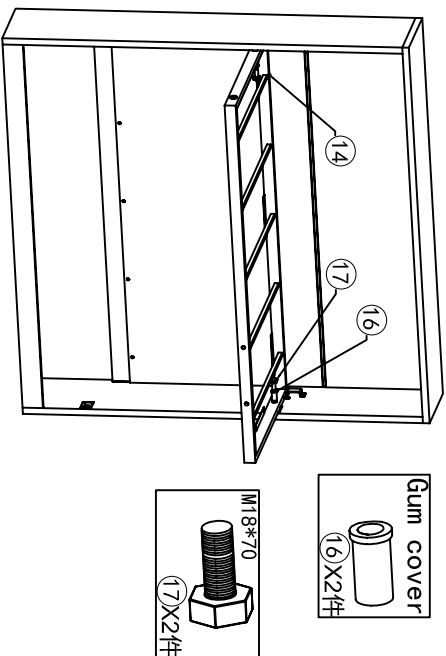
7



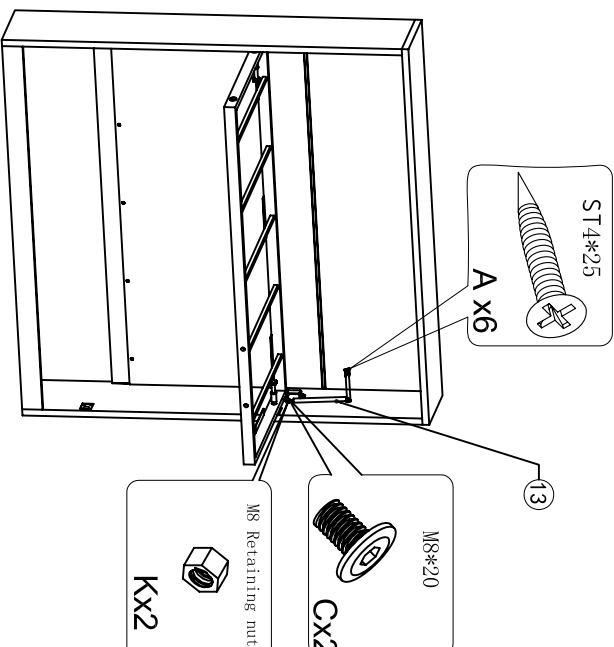
8



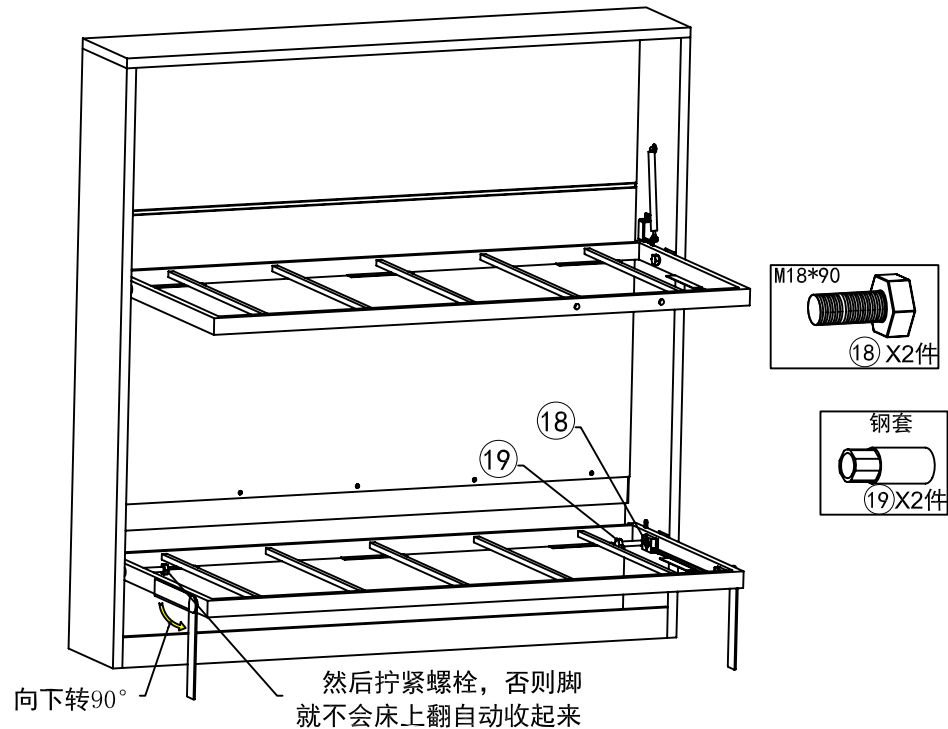
9



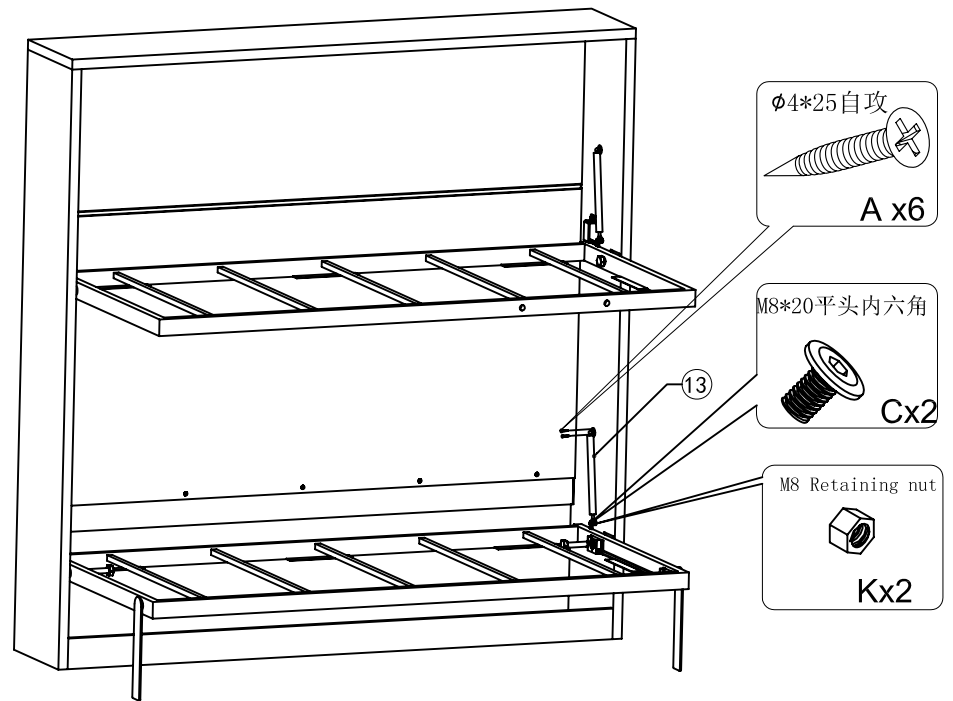
10



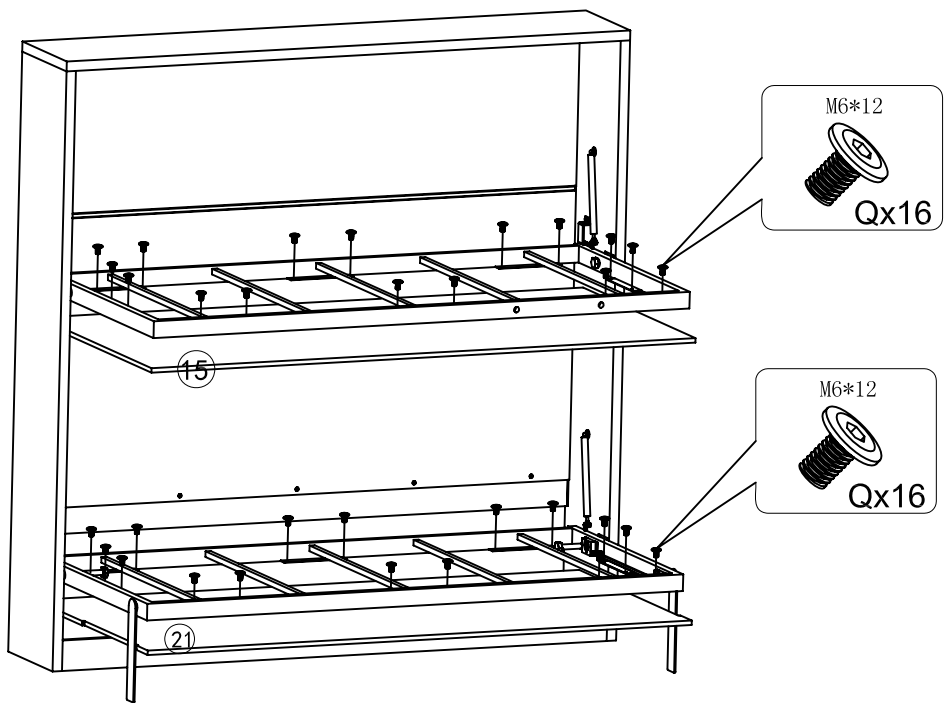
11



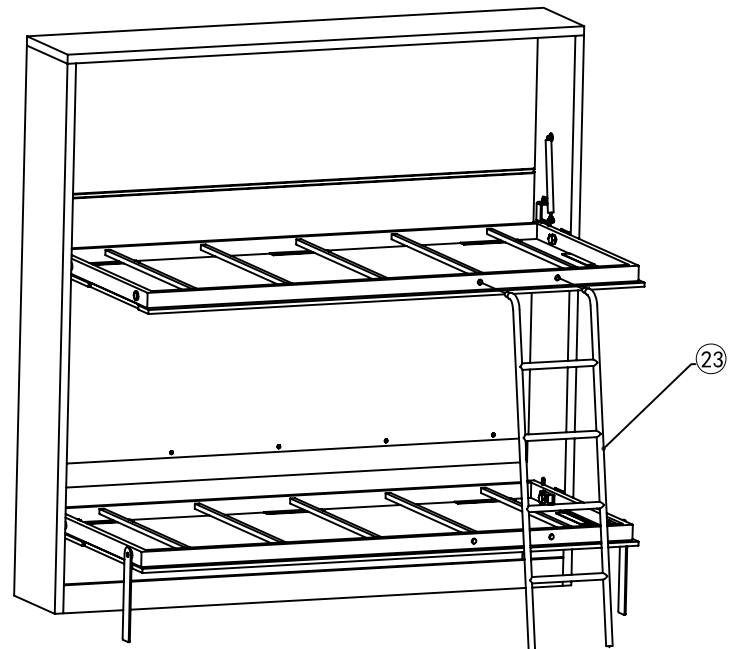
12



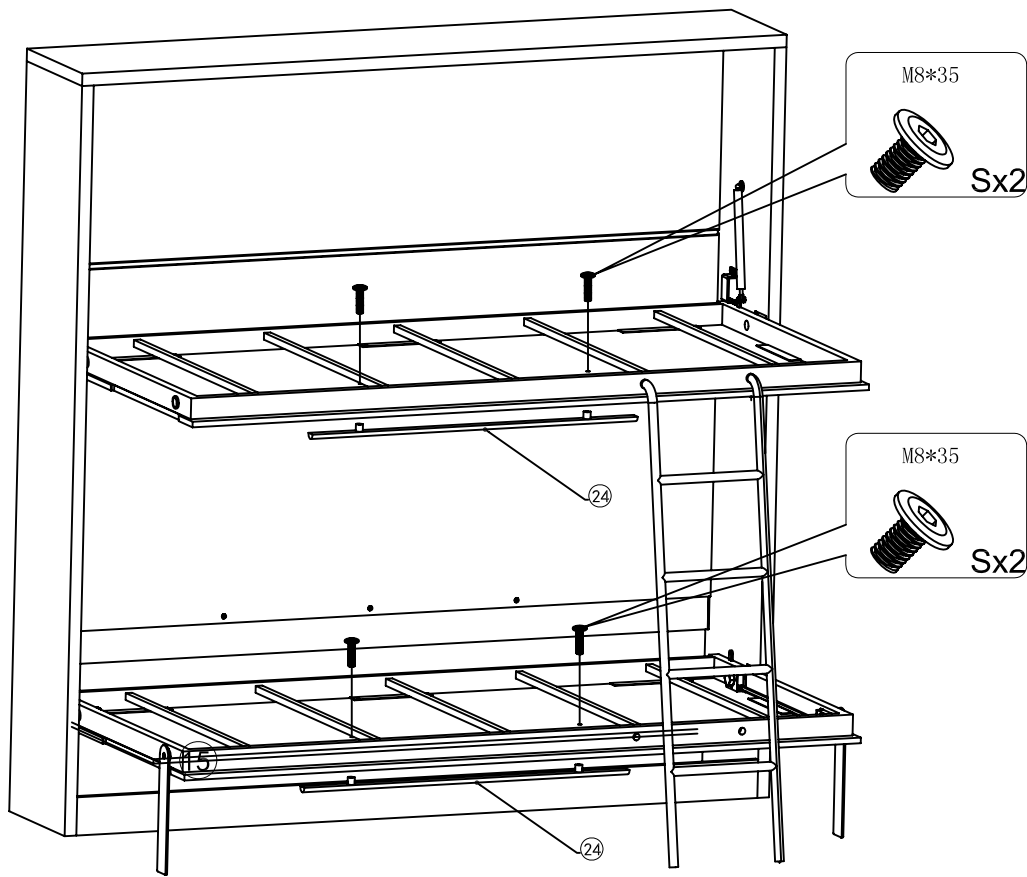
13



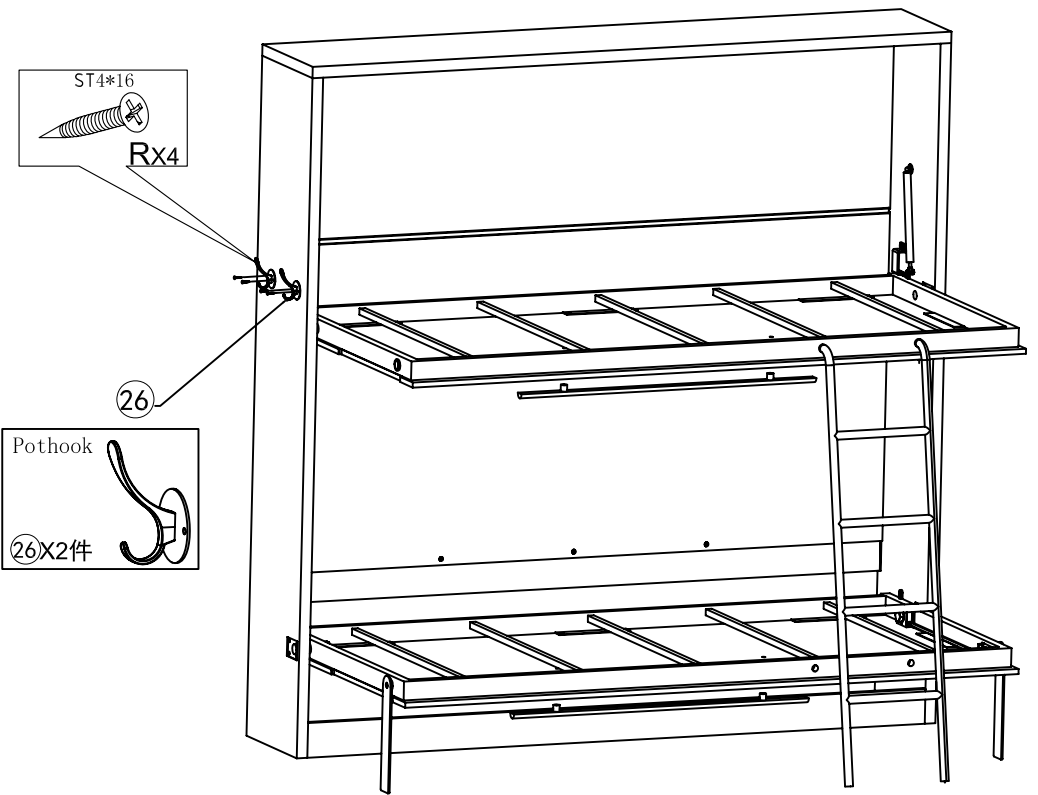
14



15



16



17