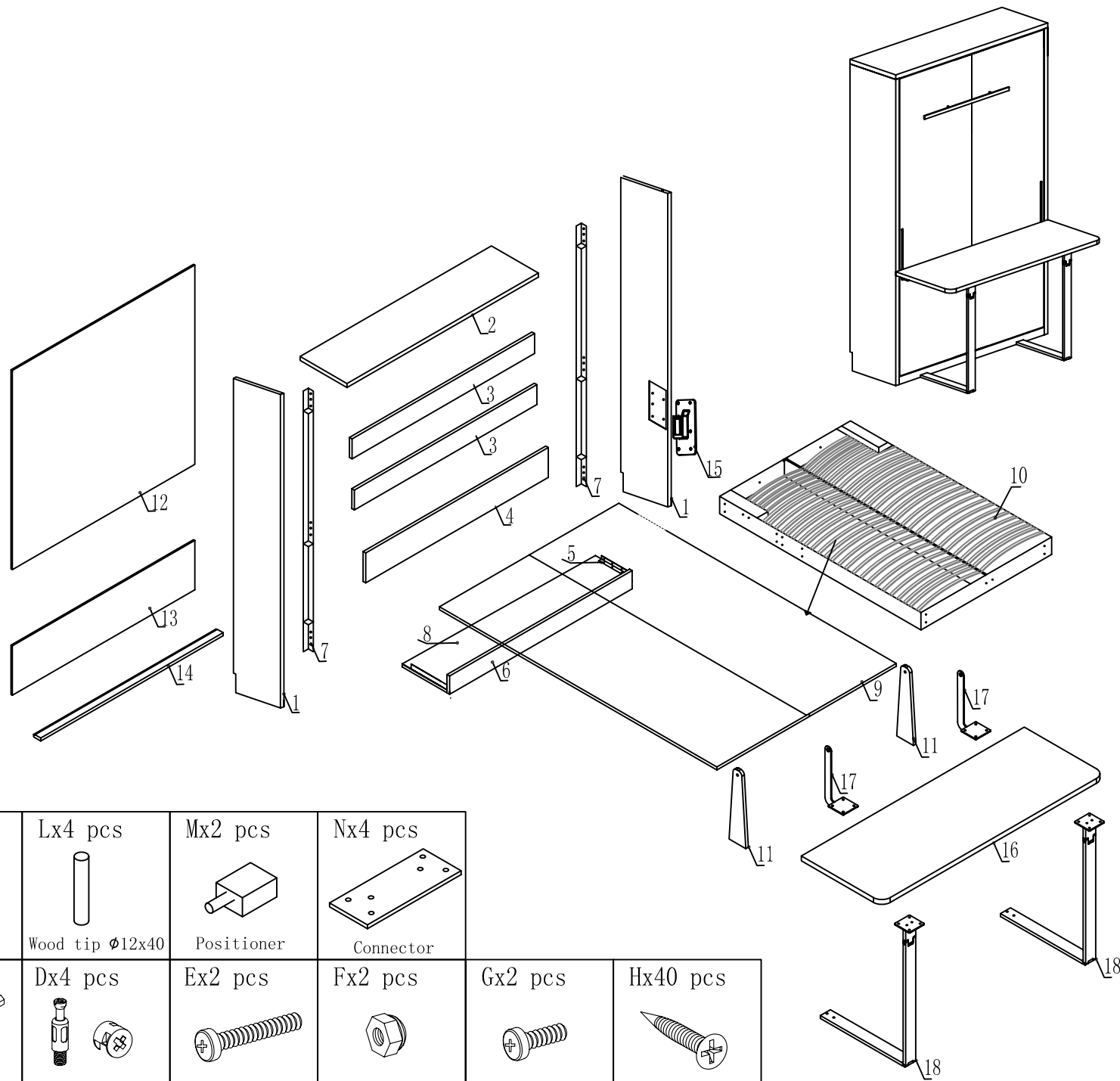

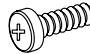
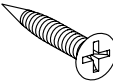
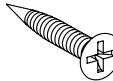
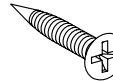
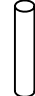
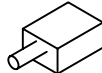
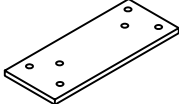

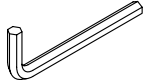
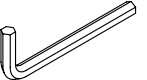
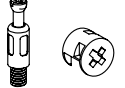
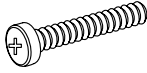

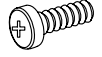
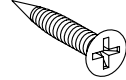


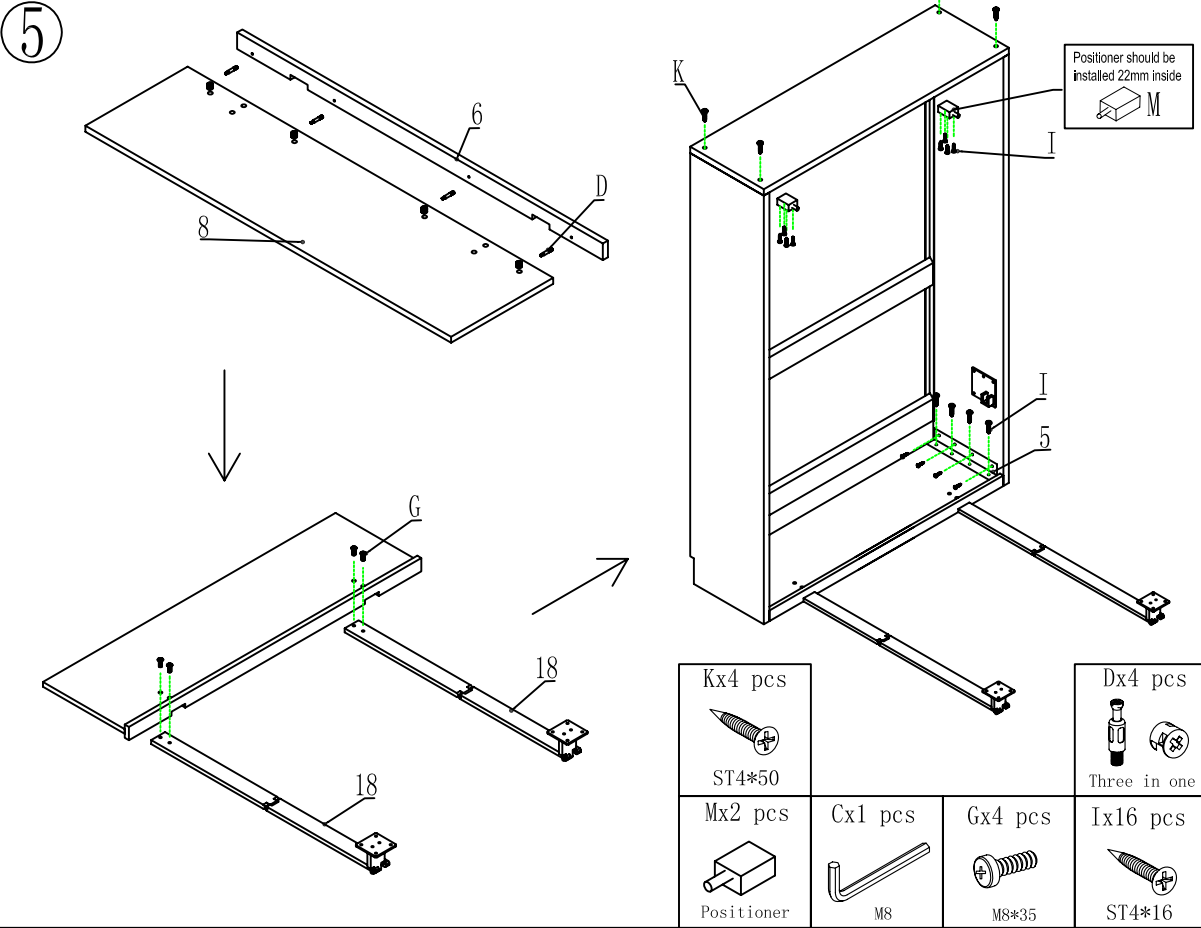
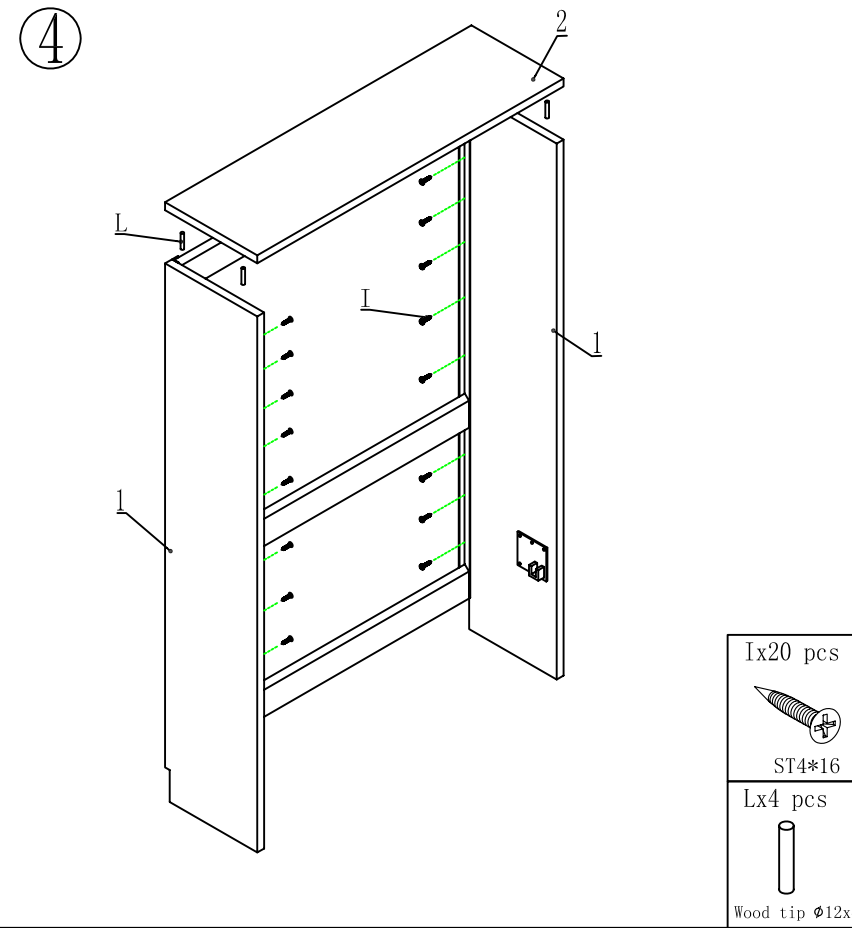
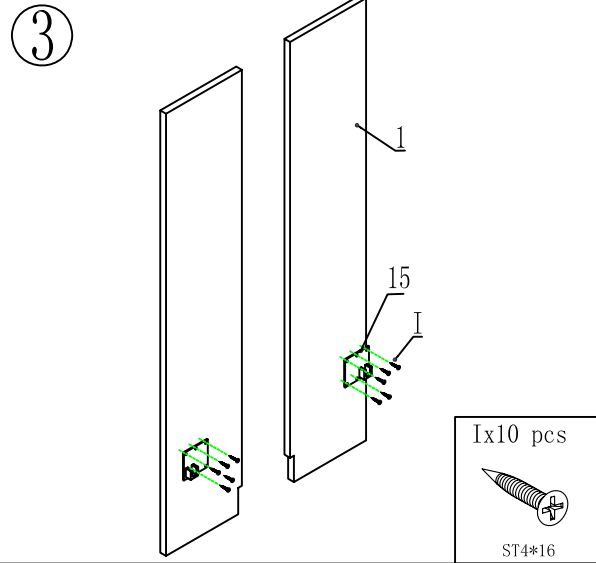
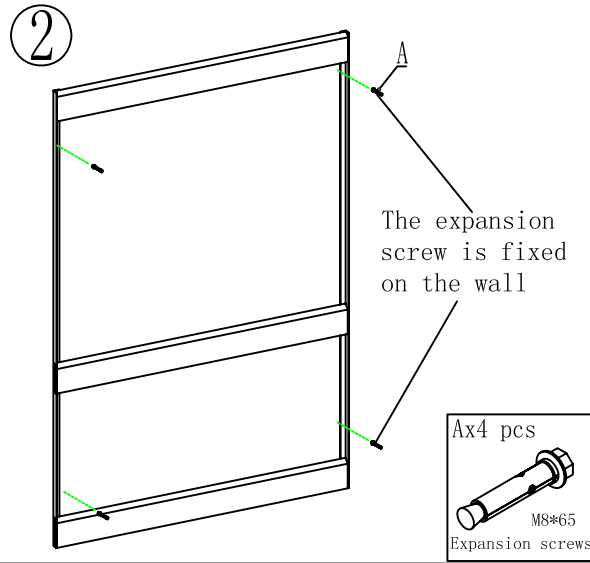
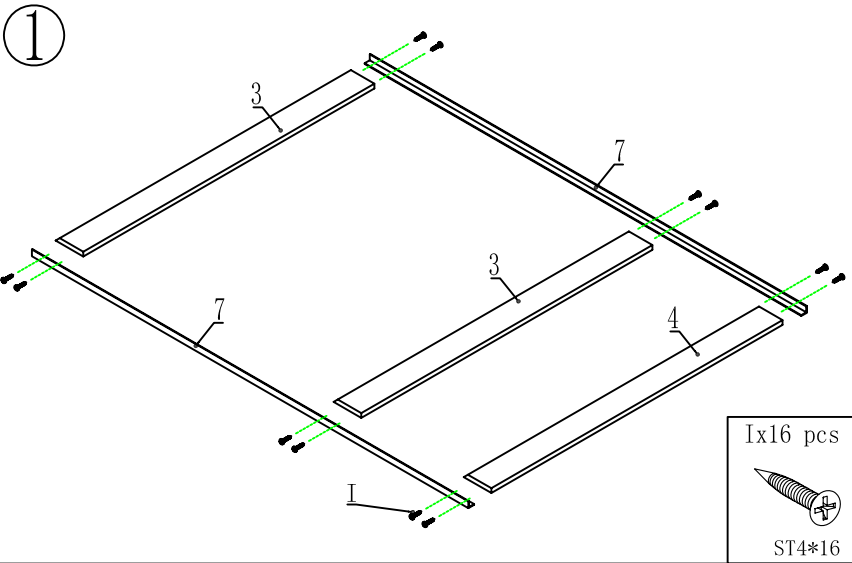
No.	Parte name	QTY
1	Side panel	2
2	Top panel	1
3	Back brace panel	2
4	Back brace panel	1
5	Angle iron	2
6	Skirting line	1
7	Back corner line	2
8	Bottom panel	1
9	Door panel	2
10	Bedstead	1
11	Free fall feet	2
12	Back panel	1
13	Back panel	1
14	Transverse pull plate	1
15	Hanging plate	2
16	Desk	1
17	Hanging arm	2
18	Folding aluminum foot	2



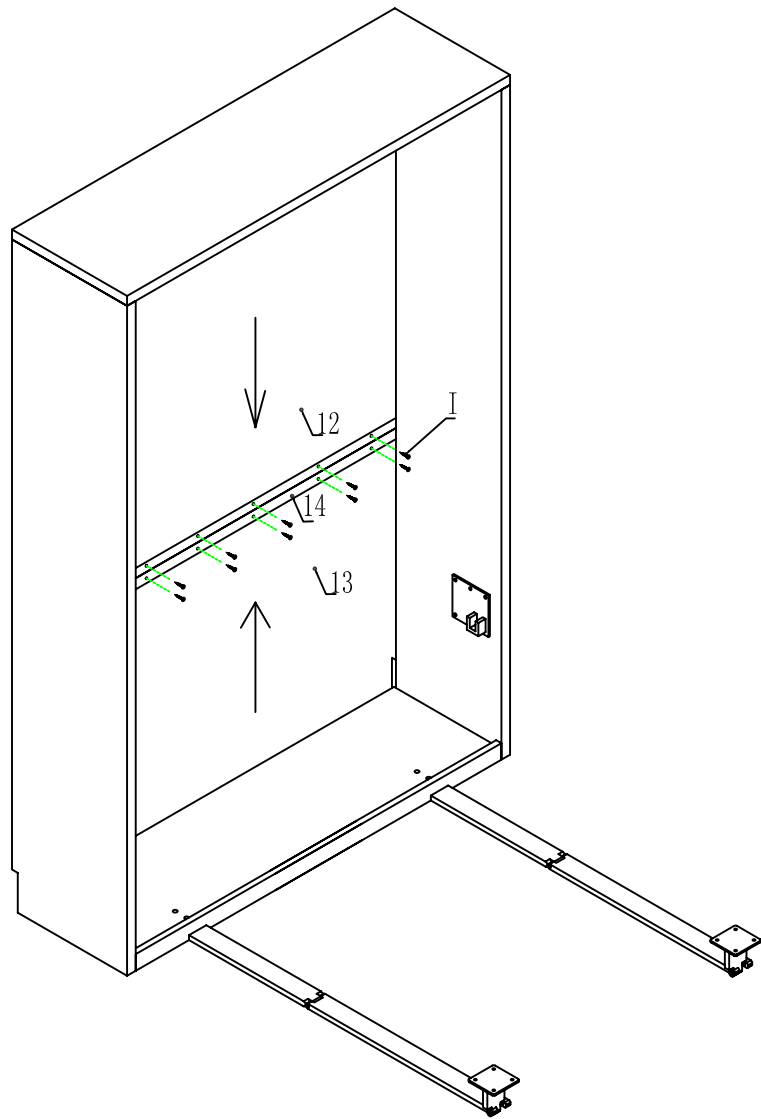
Gx2 pcs  M5*15	Gx2 pcs  M8*35
--	---

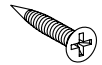
Ix100 pcs  ST4*16	Jx4 pcs  ST4*40	Kx4 pcs  ST4*50	Lx4 pcs  Wood tip $\phi 12 \times 40$	Mx2 pcs  Positioner	Nx4 pcs  Connector
---	--	--	--	--	---

Ax4 pcs  M8*65 Expansion screws	Bx1 pcs  M5	Cx1 pcs  M8	Dx4 pcs  Three in one	Ex2 pcs  M8*50	Fx2 pcs  M8	Gx2 pcs  M8*20	Hx40 pcs  ST4*25
--	--	--	--	---	--	---	---

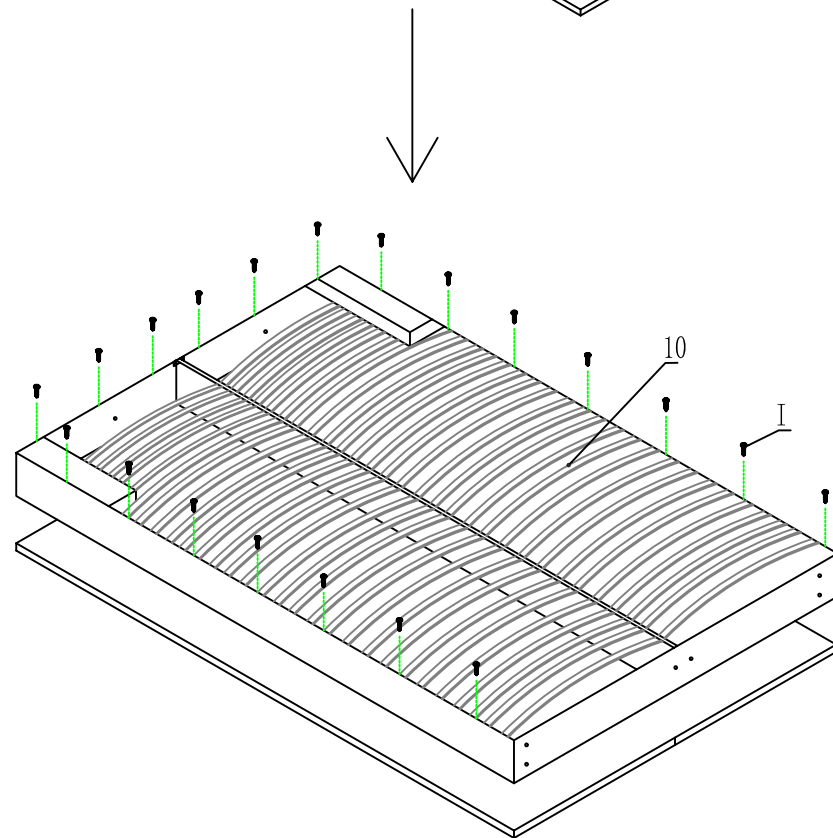
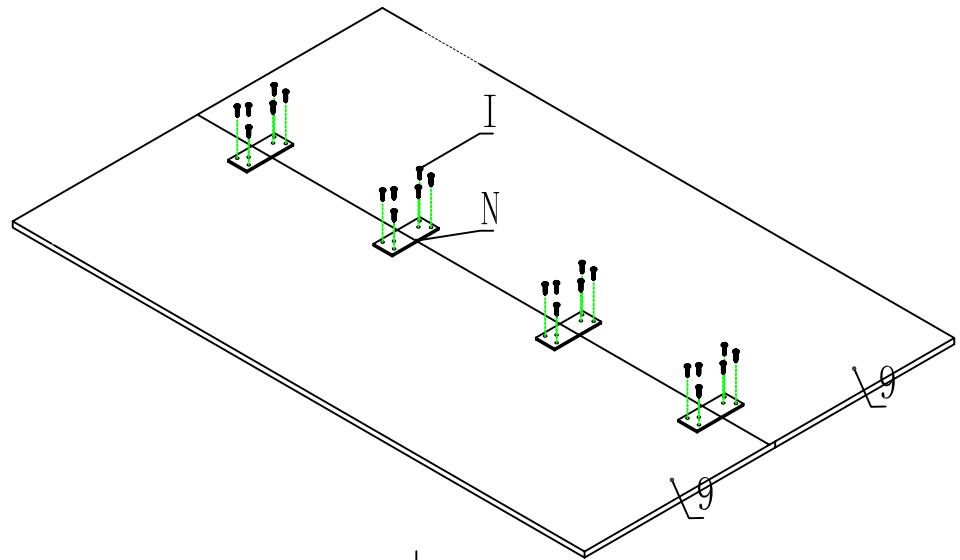


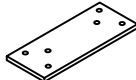
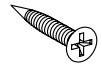
6



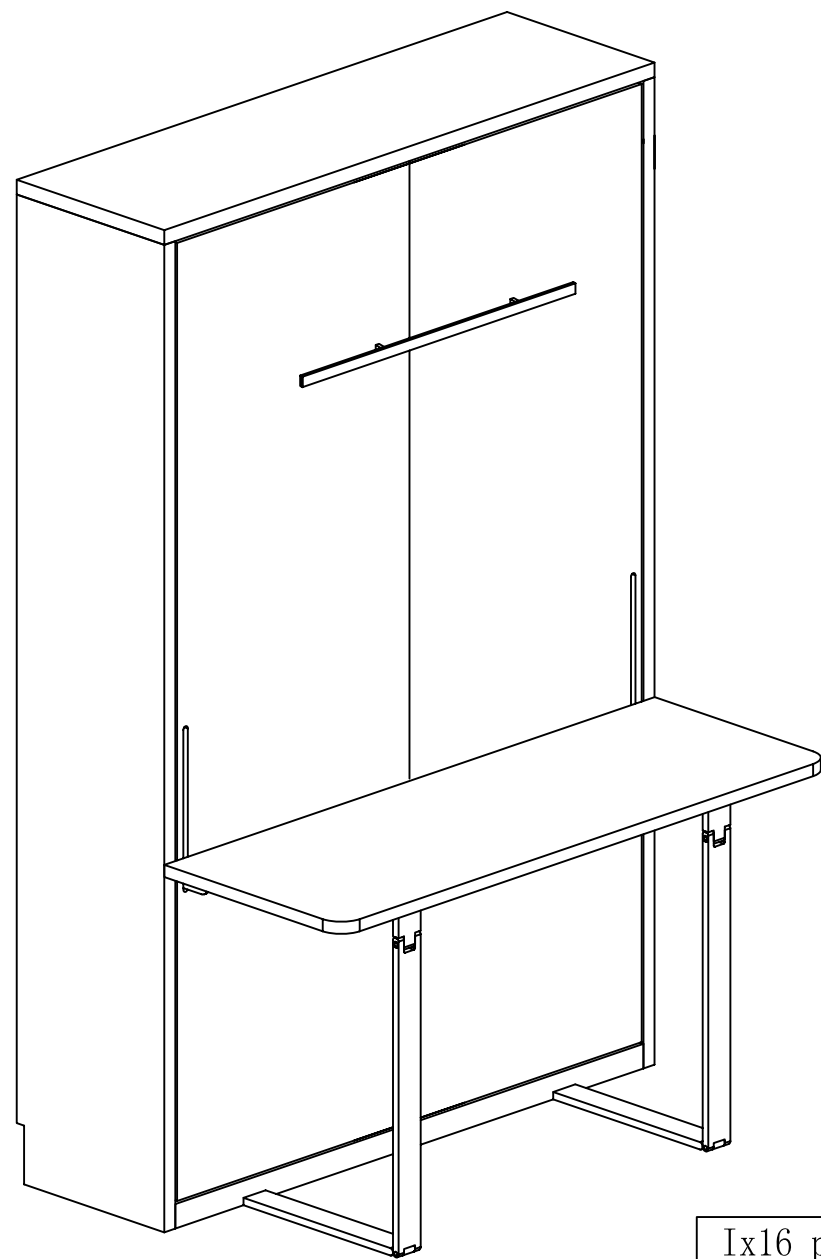
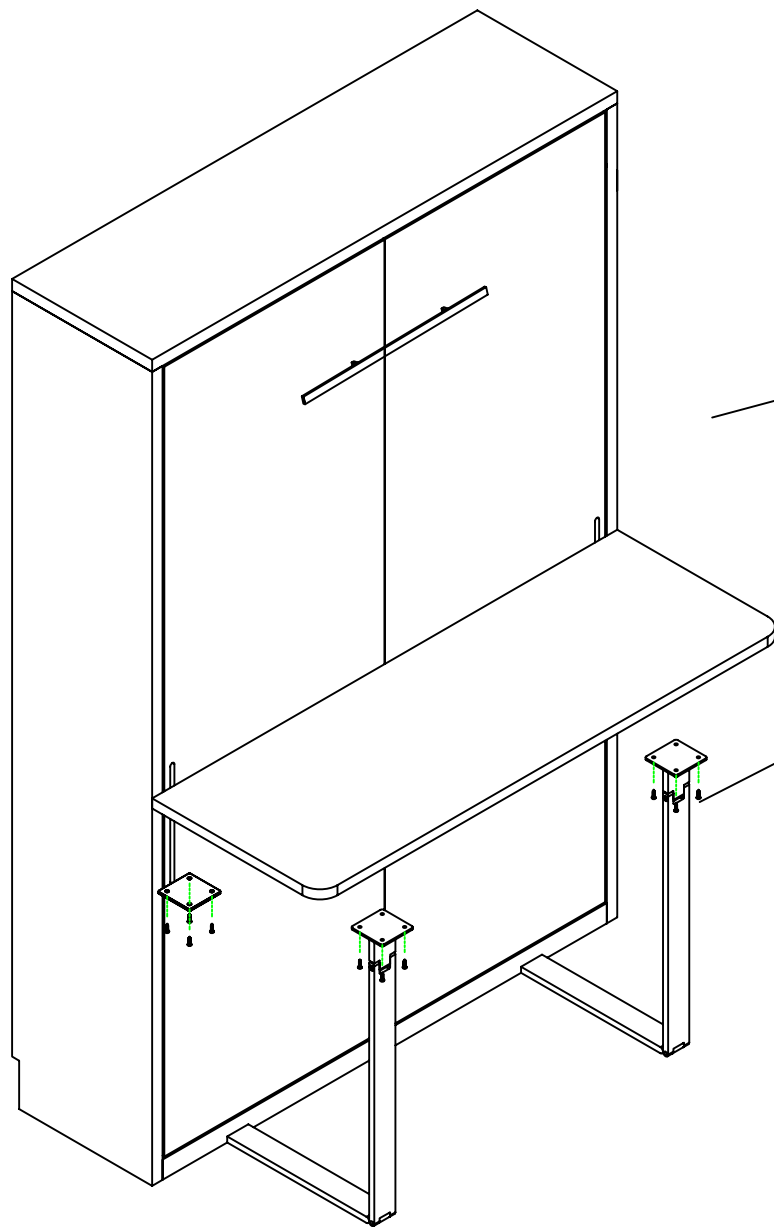
Ix10 pcs  
  
 ST4\*16

7

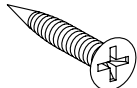


Nx4 pcs  
  
 Connector  
 Ix30 pcs  
  
 ST4\*16

8



Ix16 pcs



ST4\*16