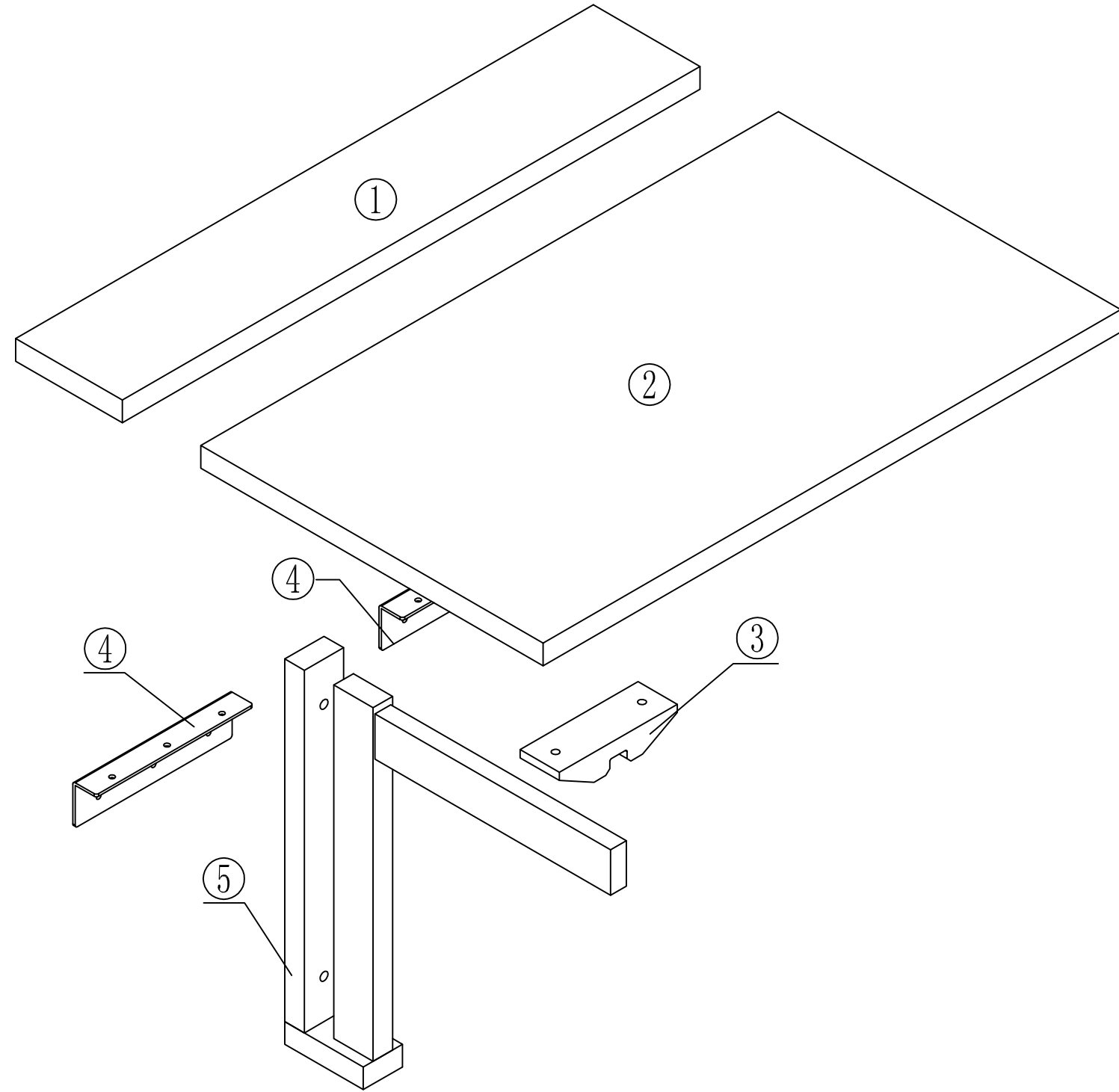
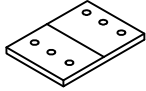

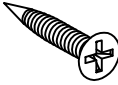
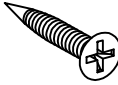


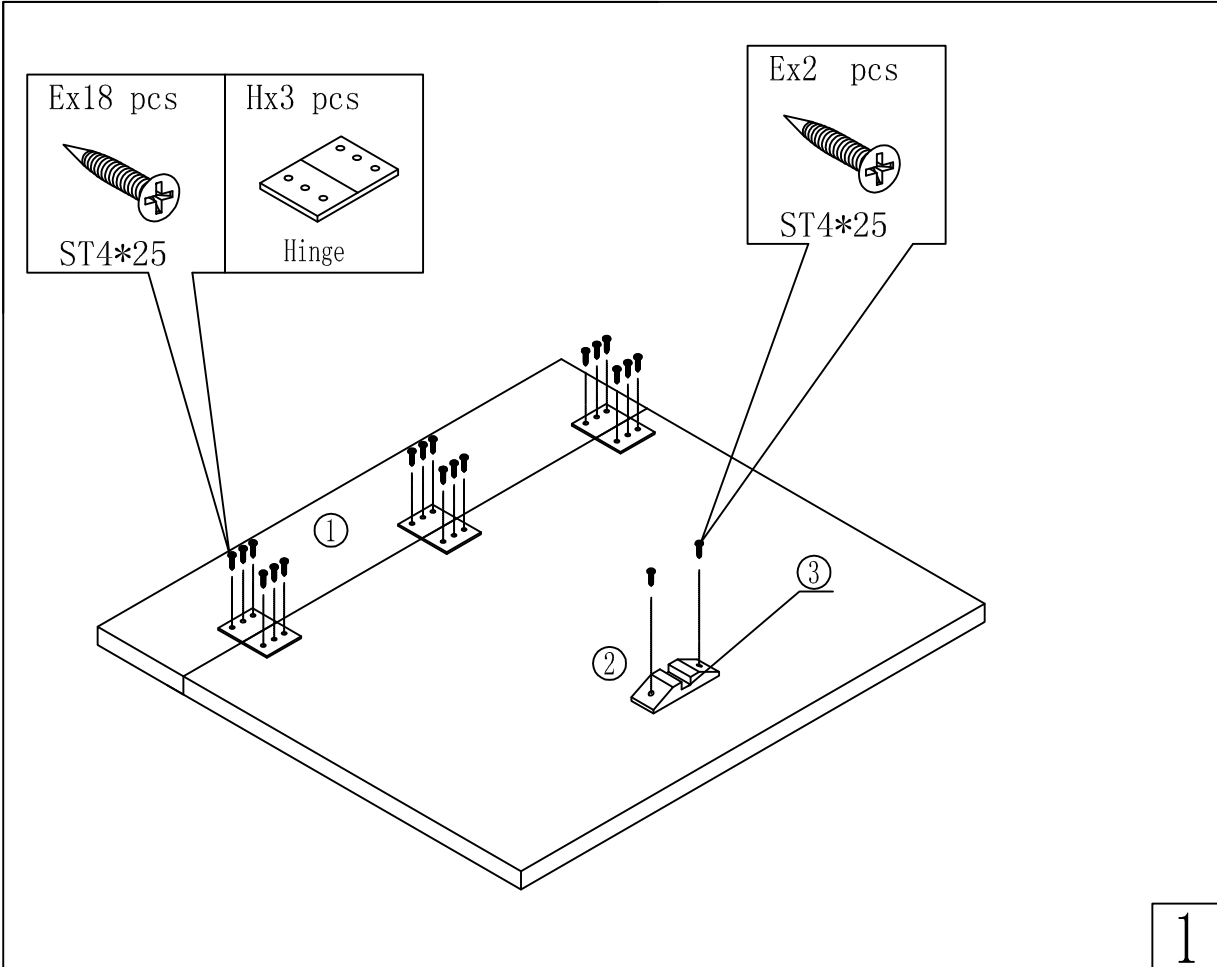
# Folding desk MKT2 - Installation manual

No.	Parte name	QTY
1	Deck plate 1	1
2	Deck plate 2	1
3	Locking plate	1
4	Connecting plate	2
5	Supporting Fitting	1

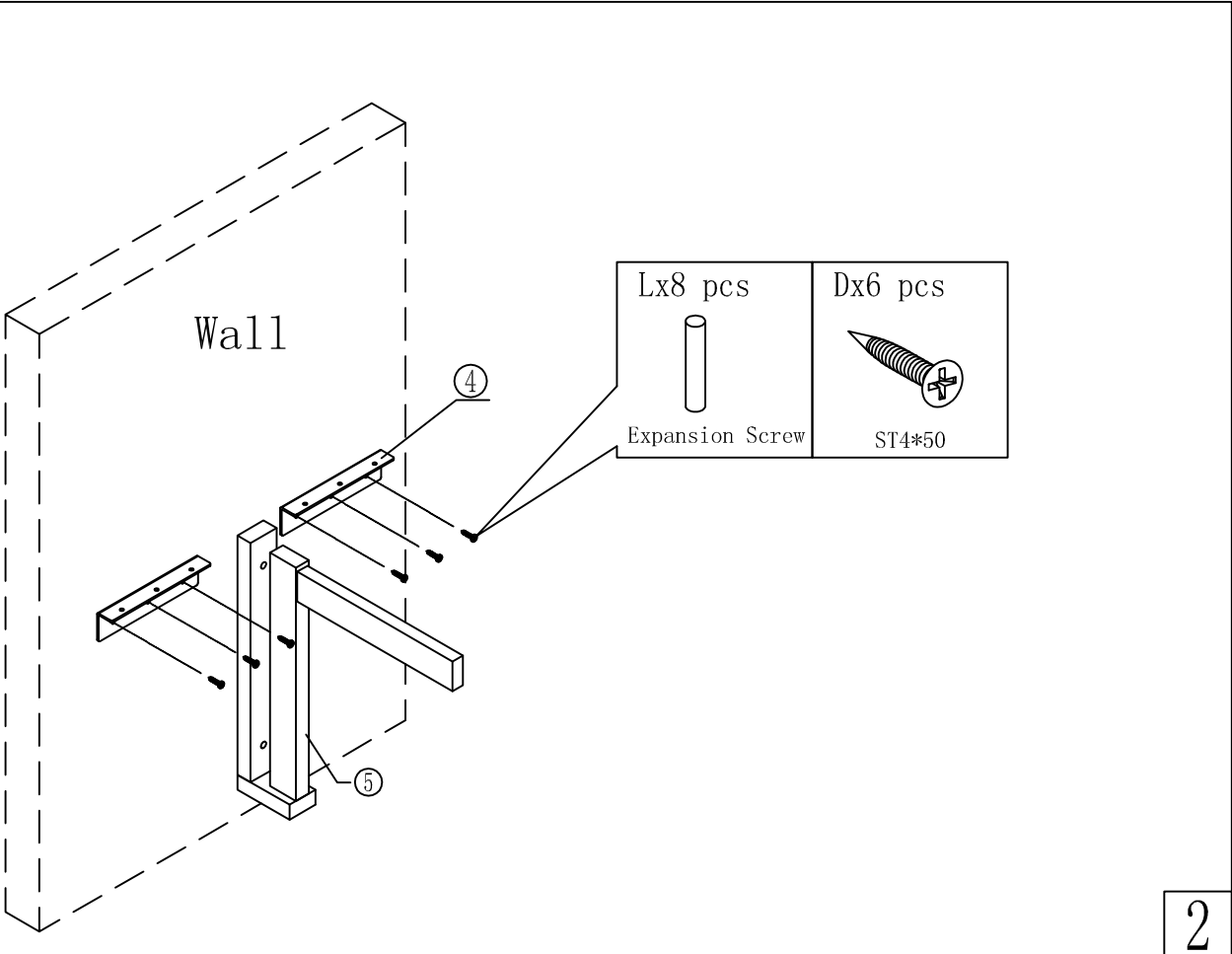


Hx3 pcs 	Lx8 pcs 	Dx8 pcs 	Ex26 pcs 
Hinge	Expansion Screw	ST4*50	ST4*25

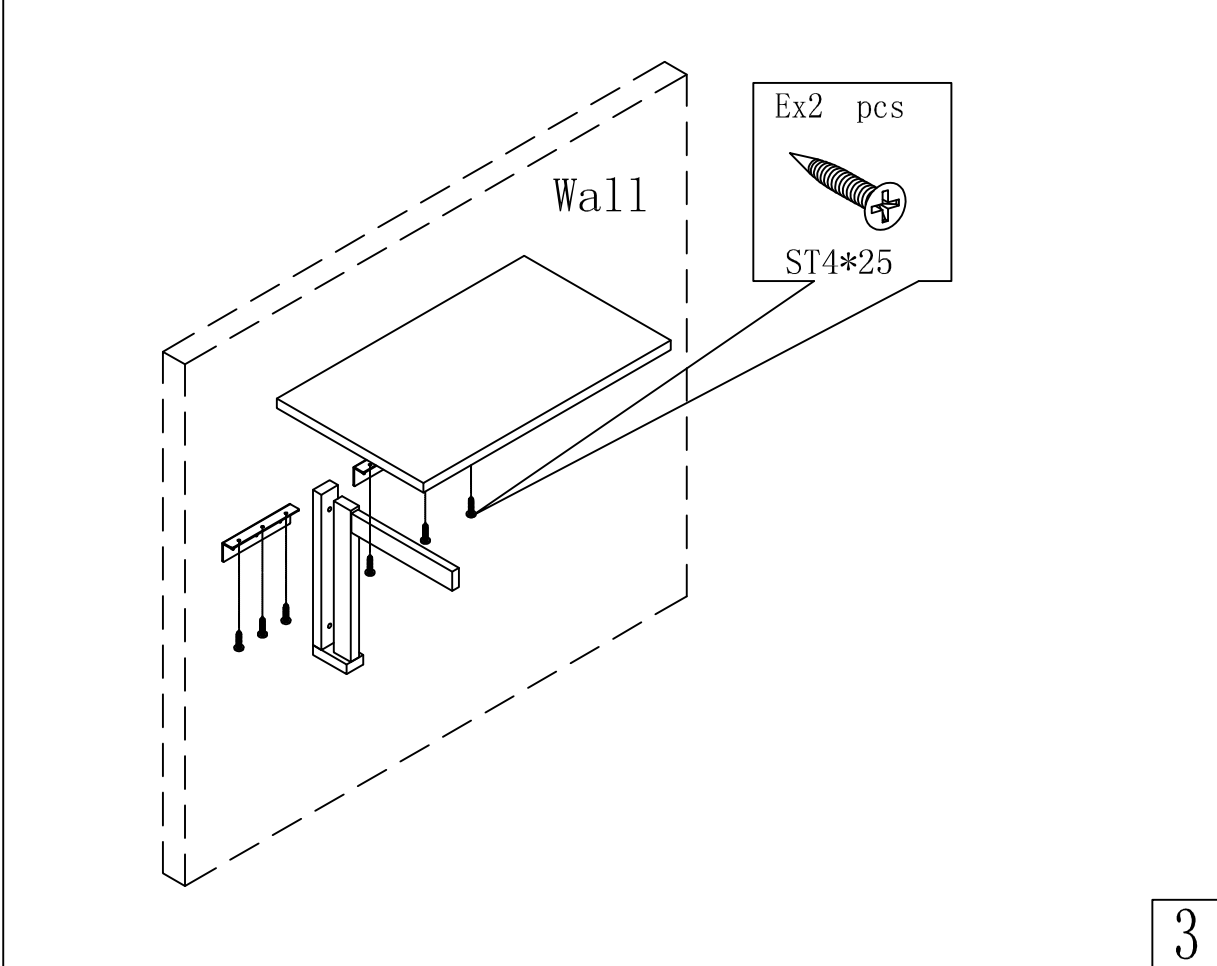
# Folding desk MKT2 - Installation manual



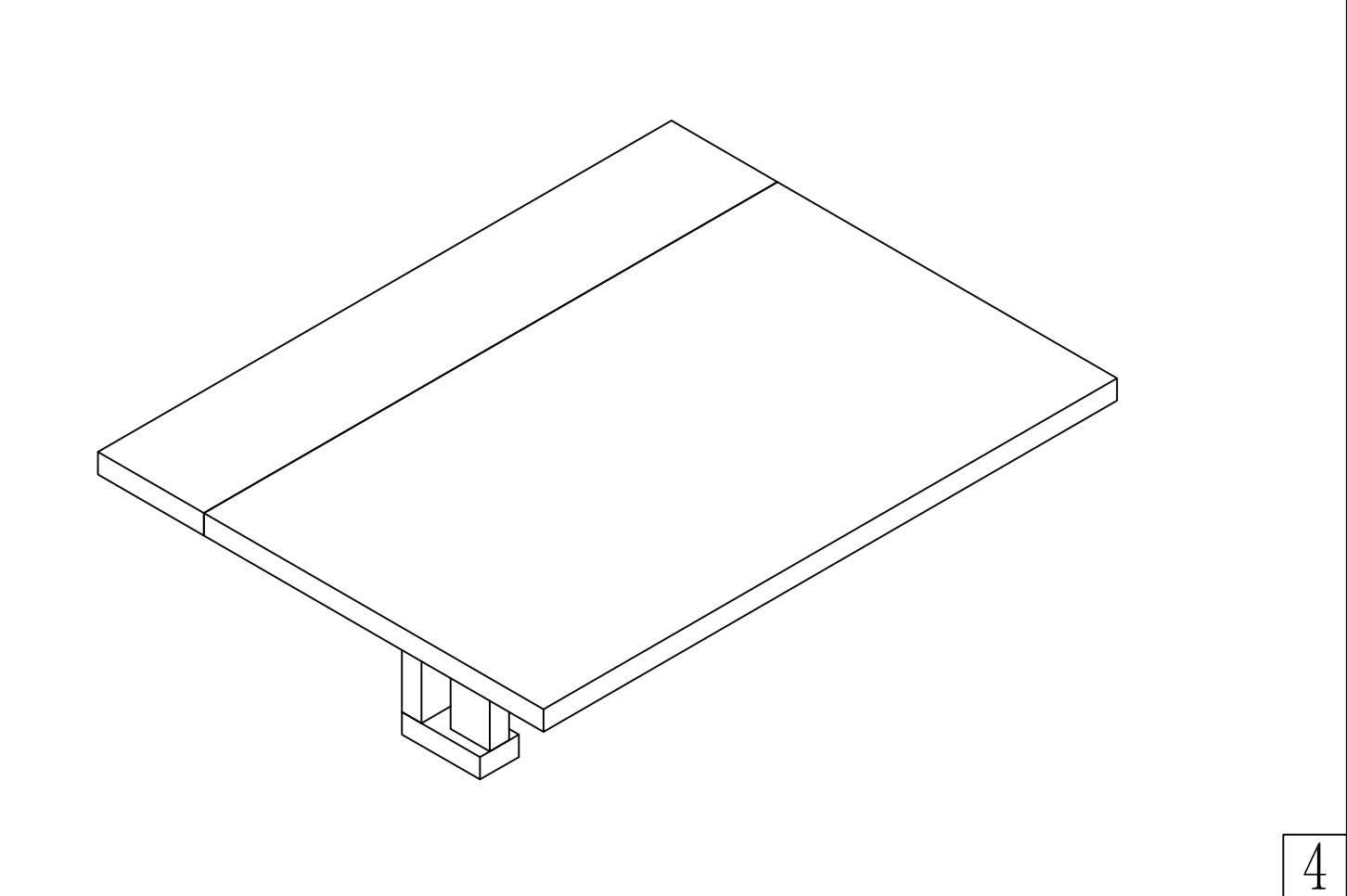
1



2



3



4